

BONNET AND BOOT LID

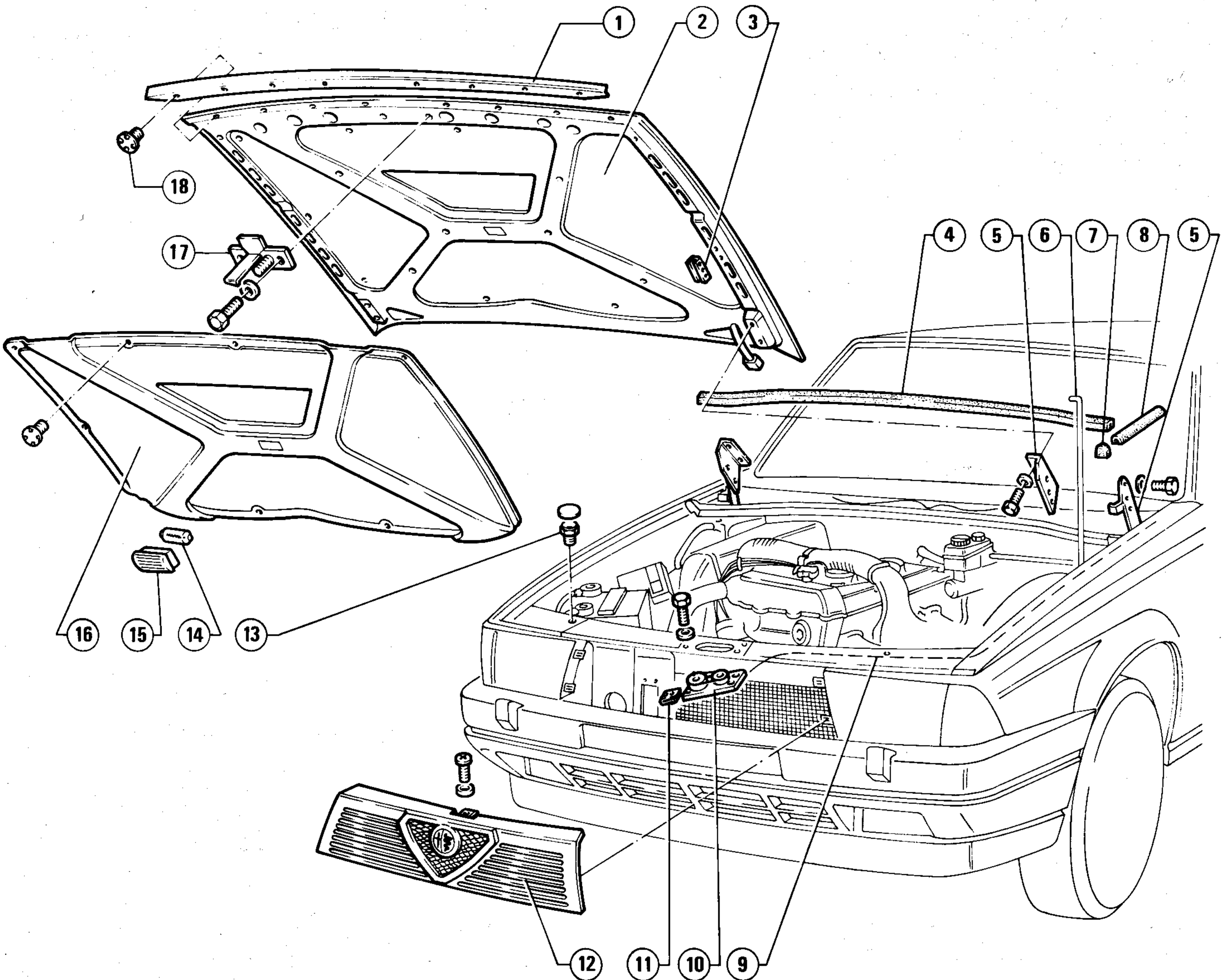
GROUP 56

CONTENTS

BONNET	56-2	Boot lid adjustments	56-7
[Removal and installation	56-2	Replacement of boot lid opening	
Bonnet adjustments	56-3	control cable	56-8
Replacement of bonnet opening		[SERVICE DATA AND	
control cable	56-4	SPECIFICATIONS	56-10
BOOT LID	56-6	Tightening torques	56-10
Removal and installation	56-7		

BONNET AND BOOT LID

BONNET



- 1 Seal
- 2 Bonnet
- 3 Bracket
- 4 Bonnet rubber sealing
- 5 Hinge
- 6 Bonnet support rod

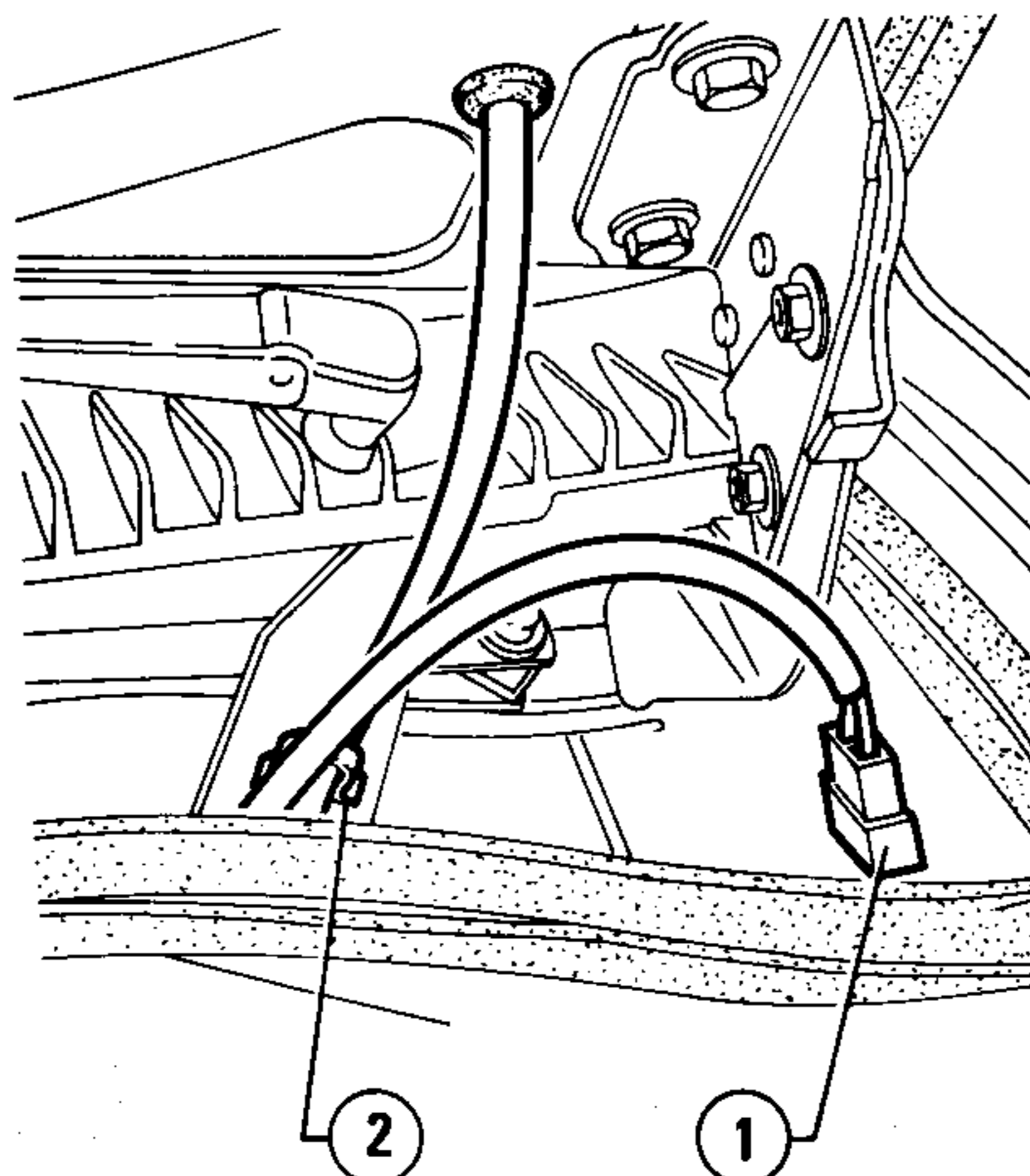
- 7 Rubber pad
- 8 Scuttle seal
- 9 Bonnet opening control cable
- 10 Bonnet lock device
- 11 Spring nut screw
- 12 Radiator grille

- 13 Bonnet adjustment stopper
- 14 Lamp
- 15 Transparent lampholder
- 16 Bonnet trim
- 17 Bonnet stopper and safety catch
- 18 Plastic rivet

REMOVAL AND INSTALLATION

During bonnet removal and installation, a cloth must be placed around the edges of bonnet to avoid damaging body.

1. Open the bonnet and support it with the side support rod.
2. Disconnect wiring (1) and withdraw it from circlip (2).



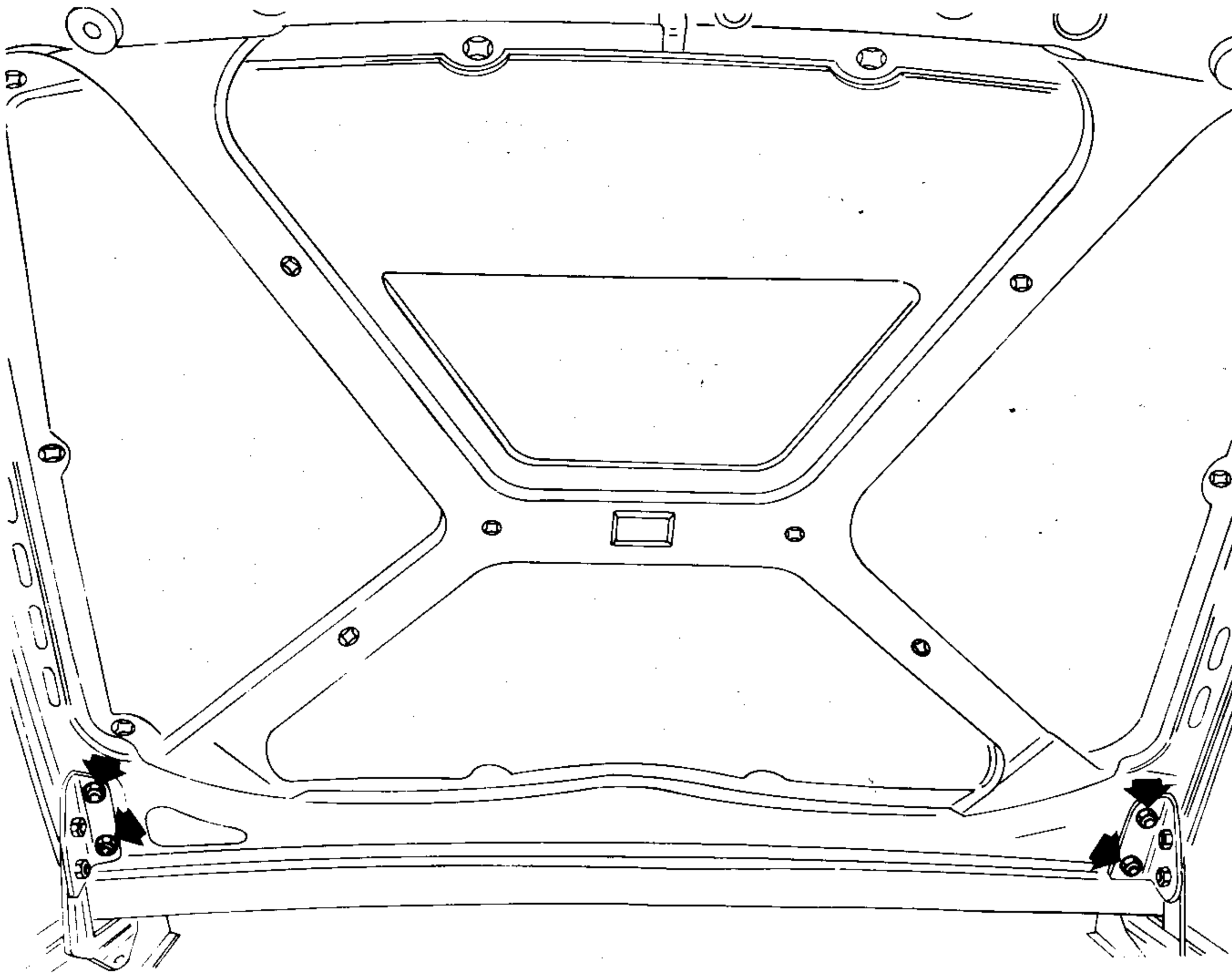
- 1 Bonnet lamp wiring
- 2 Plastic circlip

WARNING:

Two operators are needed to support and remove the bonnet.

3. Support the bonnet, unscrew the four screws securing hinges to bonnet, and remove it by unhooking it from the support rod.

BONNET AND BOOT LID

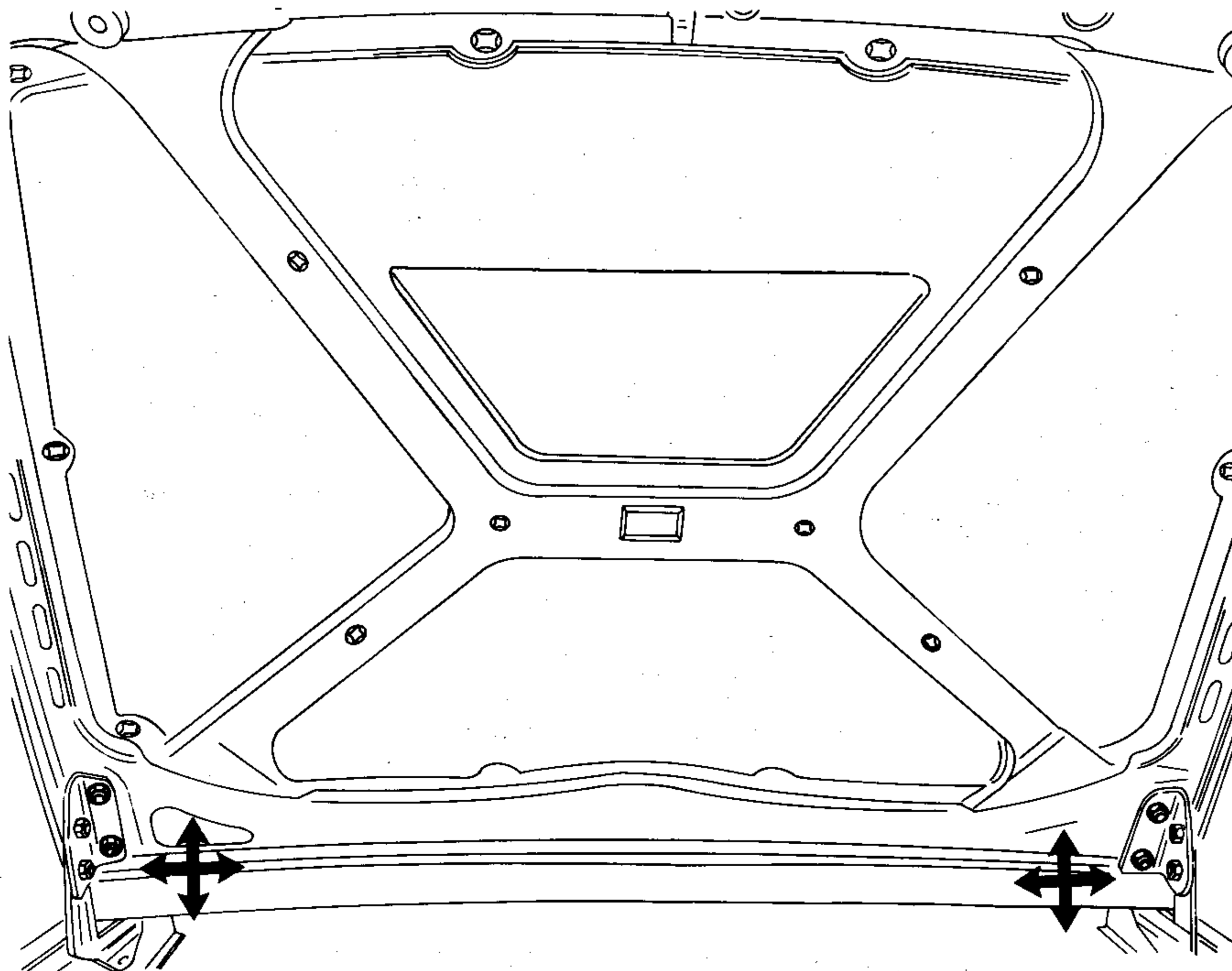


4. Install the bonnet by reversing the order of removal, and check that it has been correctly fitted in place; if necessary, correct the position as indicated in "Bonnet Adjustment".

BONNET ADJUSTMENTS

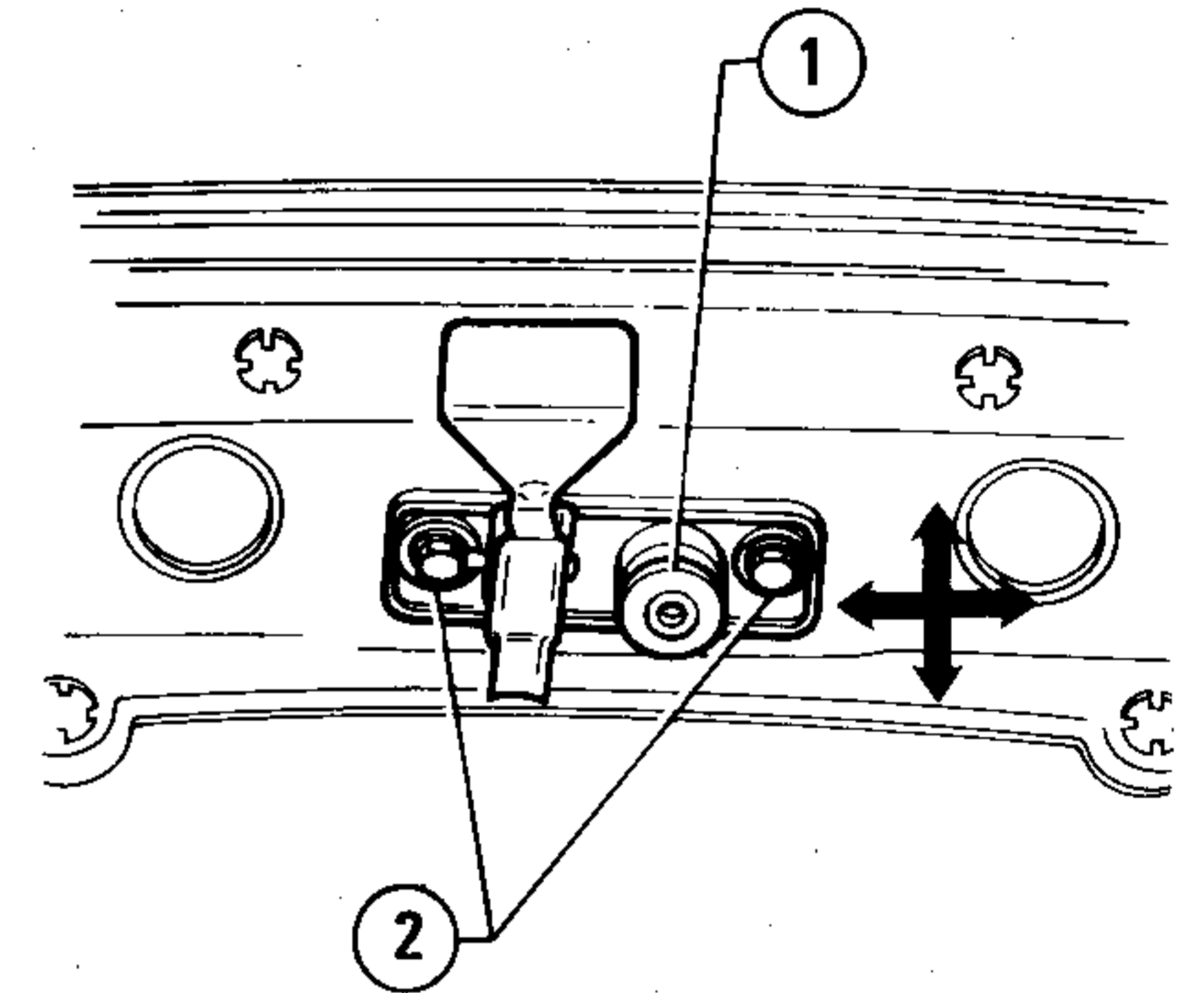
POSITION

Loosen the four screws securing hinges to bonnet, and move bonnet forwards, backwards and sideways until the correct position is obtained. If necessary, place suitable spacers between hinges and bonnet.



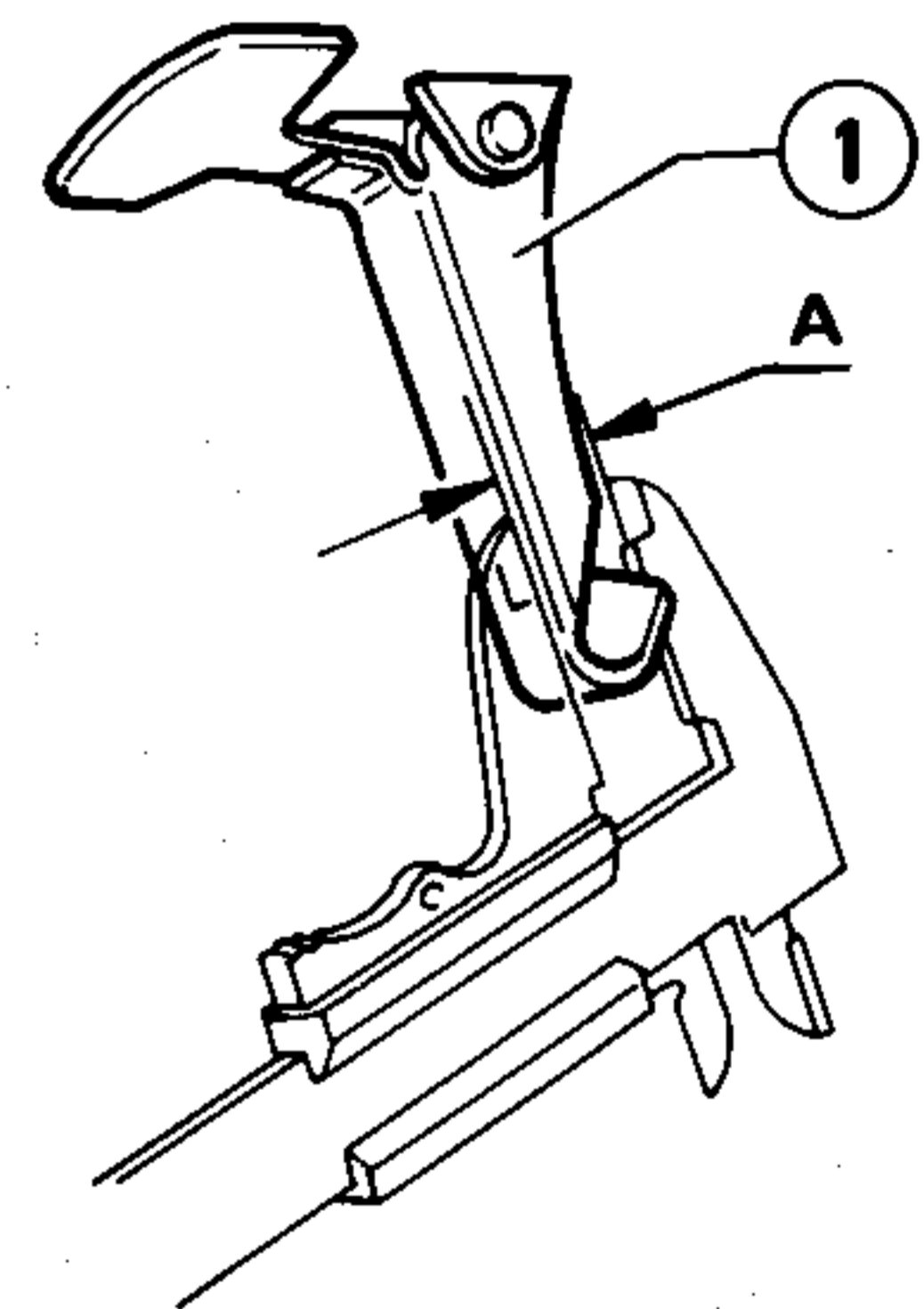
CLOSING

1. Ensure that stopper (1) and the safety catch are positioned at the centre of their respective hooking devices located on the body, then tighten the screws (2).



- 1 Bonnet stopper and safety catch
2 Screws

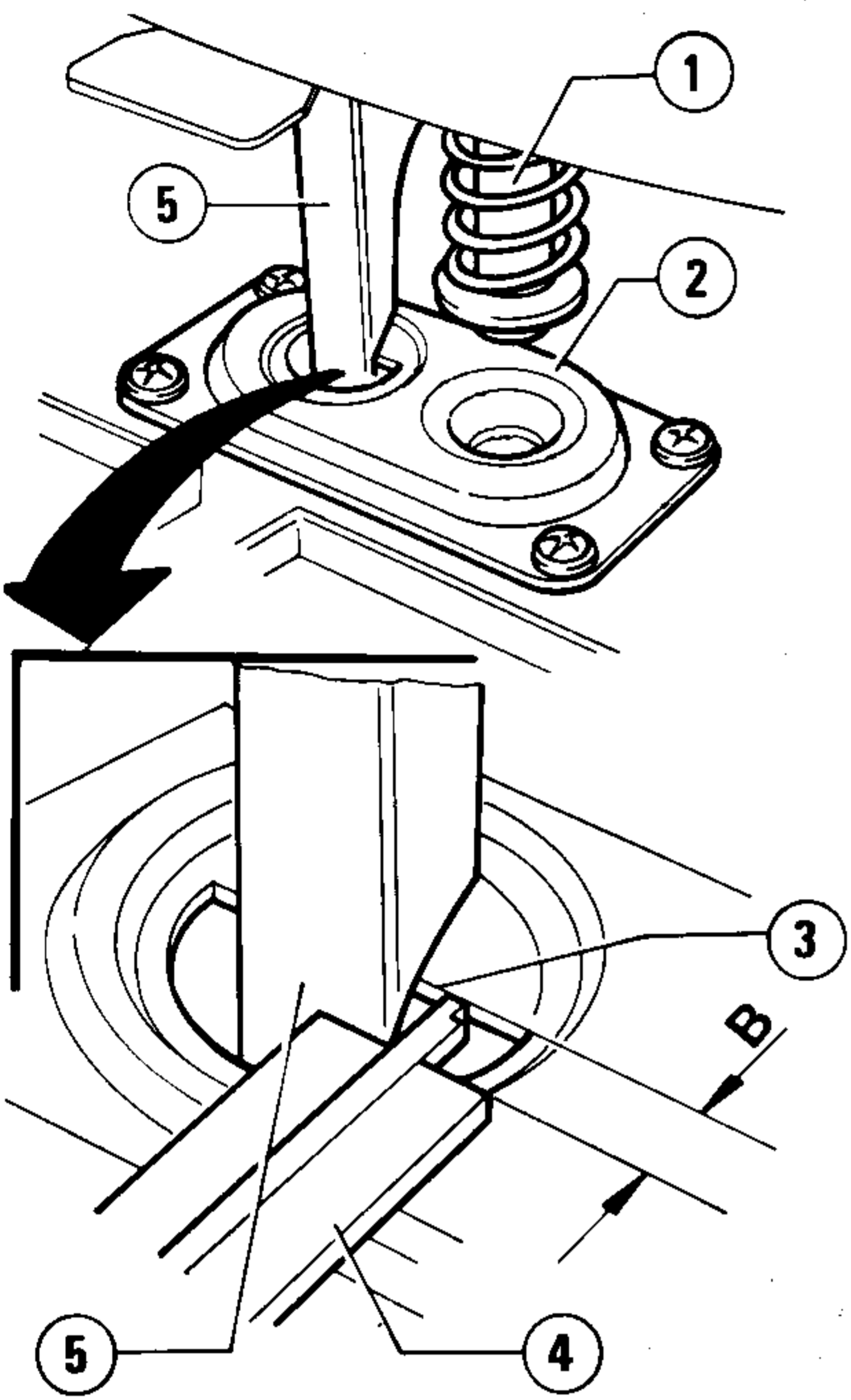
2. Check that measurement "A" of the moveable safety catch (1) corresponds to the value
 $18.5 \pm 1 \text{ mm}$ ($0.73 \pm 0.04 \text{ in}$)



- 1 Moveable safety catch

3. Hook the moveable safety catch to the fixed catch (2), and keeping the bonnet raised and hooked up, check that measurement "B" corresponds to the value
 $8.5 \pm 1 \text{ mm}$ ($0.33 \pm 0.04 \text{ in}$)

To carry out the measurement, rest the fixed part (4) of the gauge on the moveable catch external surface (5), then let the gauge cursor run until its point rests against the fixed catch hole rear edge (3).



- 1 Bonnet stopper
- 2 Fixed catch
- 3 Fixed catch hole rear edge
- 4 Gauge fixed part
- 5 Moveable catch external surface

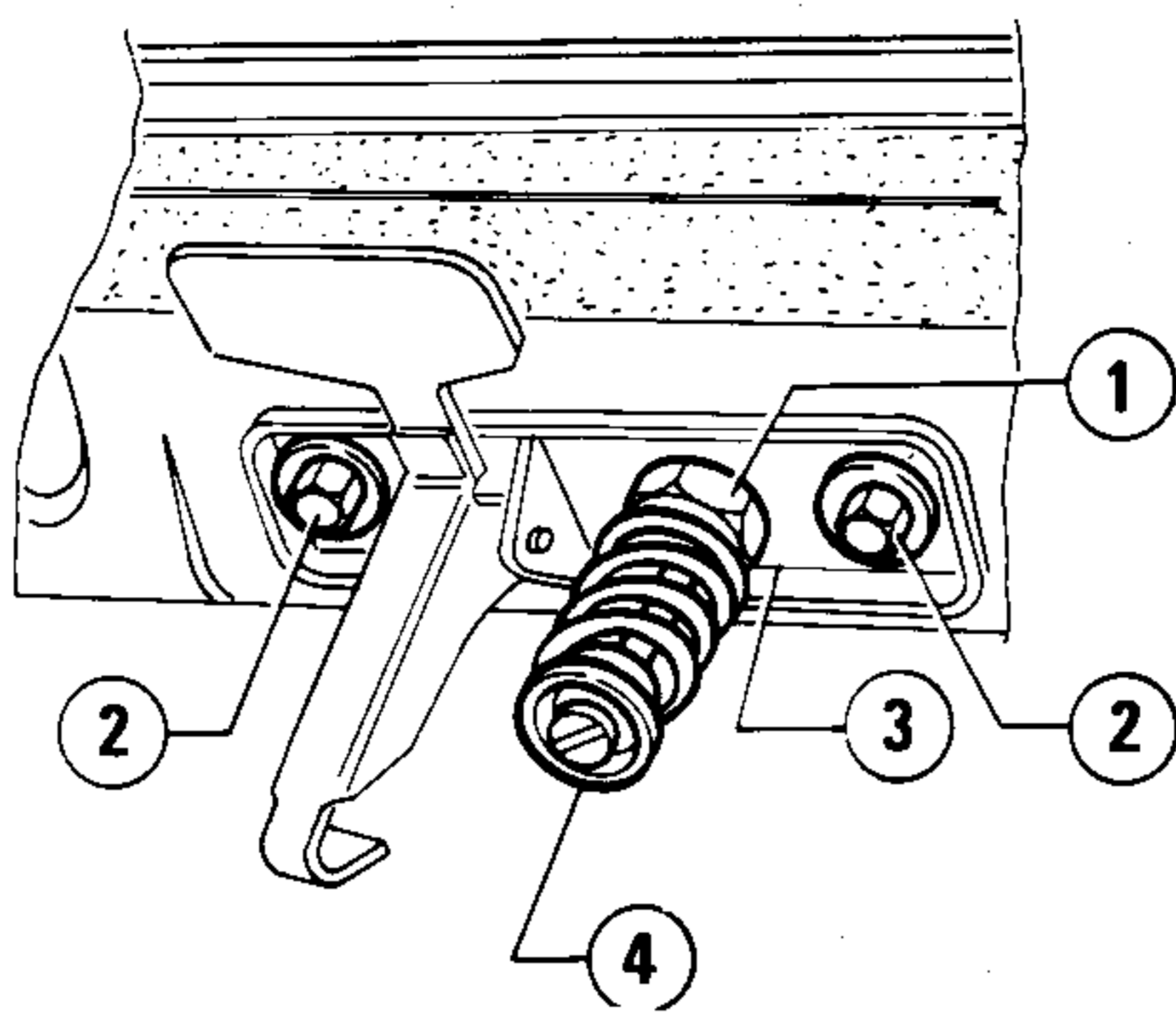
4. If the measurement does not correspond to the specified value, loosen screws (2) and move support (3) forwards or backwards until the specified measurement is obtained.

5. When the adjustment has been made, tighten the two screw (2) to the specified torque.

Ⓣ : Tightening torque
Screws securing moveable catch support to bonnet
18 to 22 Nm
(1.8 to 2.2 kgm
13.02 to 15.91 ftlb)

6. If required, release nut (1), and by means of a screwdriver, operate stopper (4) by screwing or unscrewing accordingly. In any case, check that nut (1) securing the bonnet stopper is tightened to the specified torque.

Ⓣ : Tightening torque
Bonnet stopper securing nut
10 to 15 Nm
(1 to 1.5 kgm
7.23 to 10.84 ftlb)

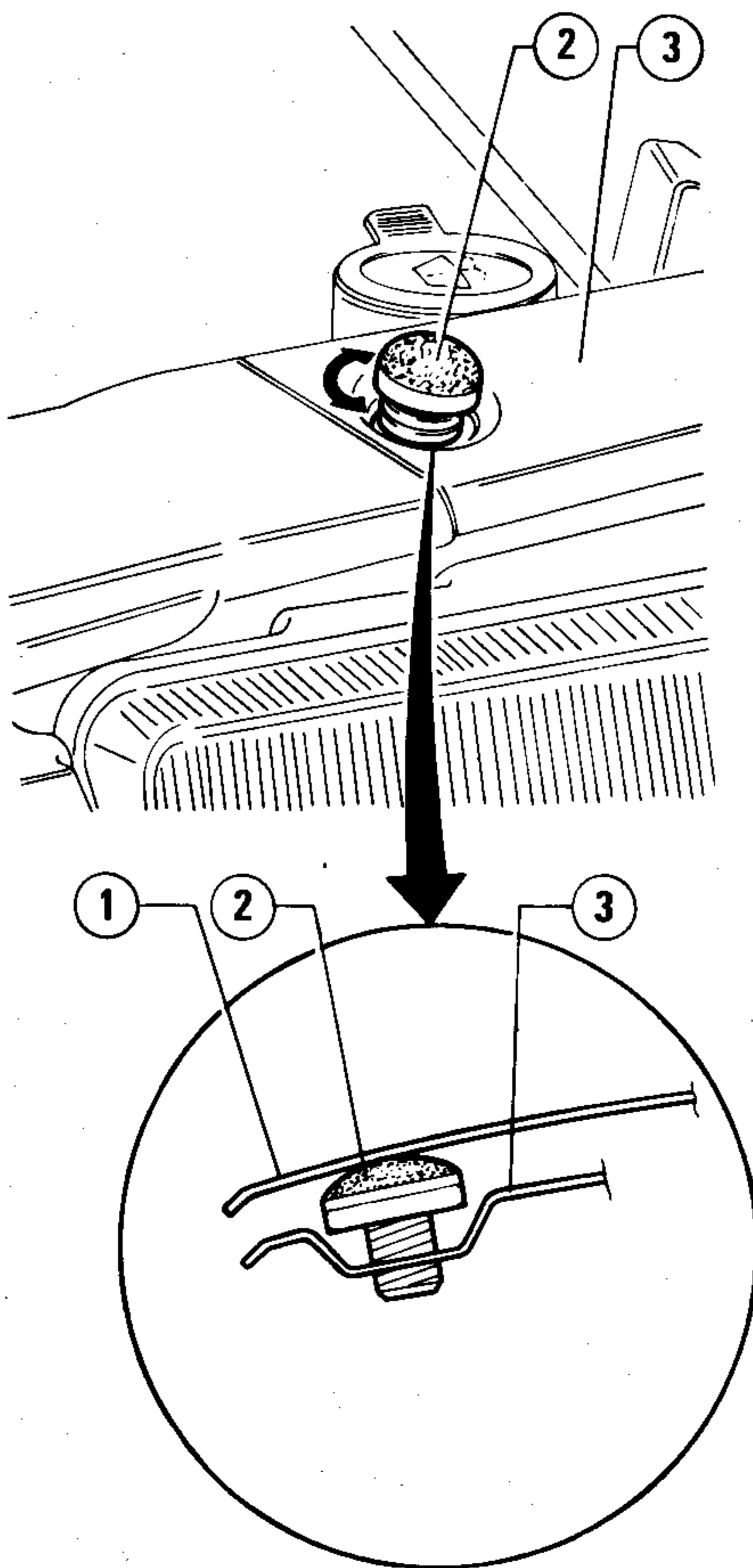


- 1 Nut
- 2 Screws
- 3 Support
- 4 Bonnet stopper

7. Check that the bonnet opens freely, and that the moveable safety catch does not jam. If necessary, repeat the operation.

STOPPERS

Check that stoppers (2) located on body (3) touch bonnet (1); if this is not the case, alter the height of stoppers by screwing or unscrewing them.

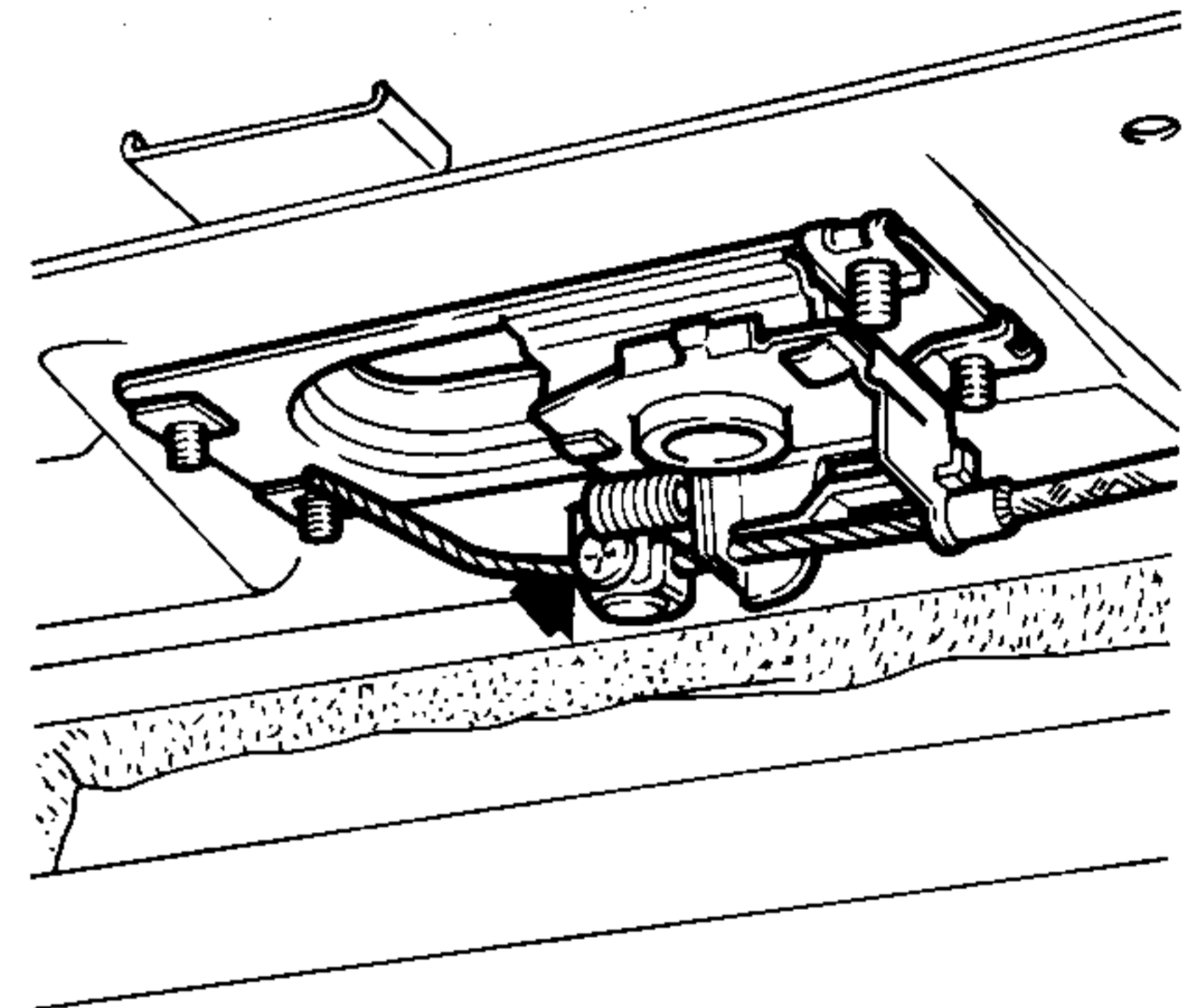


- 1 Bonnet
- 2 Bonnet adjustment stopper
- 3 Body

REPLACEMENT OF BONNET OPENING CONTROL CABLE

CAUTION:

In case of breakage of bonnet opening control cable, it is possible to open the bonnet by removing the radiator grille (refer to: Group 75 - Radiator Grille), and operating directly on the catch.



1. Unscrew the four screws securing device (1) to body, and withdraw it from below.

2. Unscrew screw (4) securing cable (3) to device (1). Remove the cable.

3. Operating from inside the vehicle, remove the fusebox (refer to: Group 66 - Dashboard). Unscrew the screw securing dashboard, in correspondence with fusebox (refer to: Group 66 - Dashboard). Lift the dashboard as much as is necessary to withdraw the cable and the sheath from bonnet opening control lever (5).

4. Insert the new cable with sheath, and secure it to the bonnet opening control lever.

5. Operating from the engine compartment, insert cable (3) into eyelet of catch (1), and secure it with screw (4).

6. Secure device 1 to body with the four screws and bend the end of cable 3 so as to move it away from the catch and allow the bonnet to open properly.

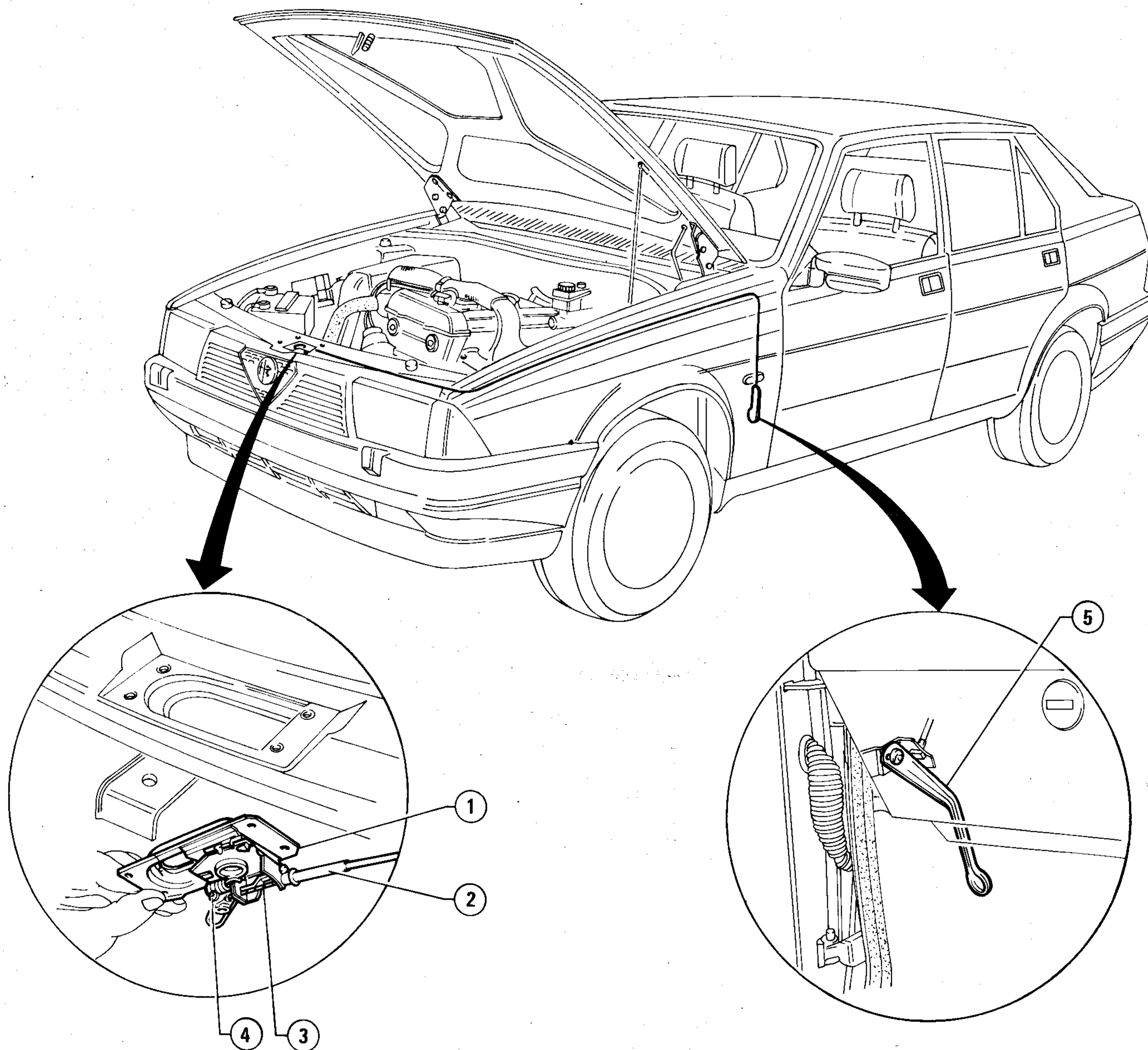
BONNET AND BOOT LID

7. Check that bonnet opening control is functioning correctly.
8. If necessary, adjust the position of cable by operating the appropriate screw (4).

CAUTION:

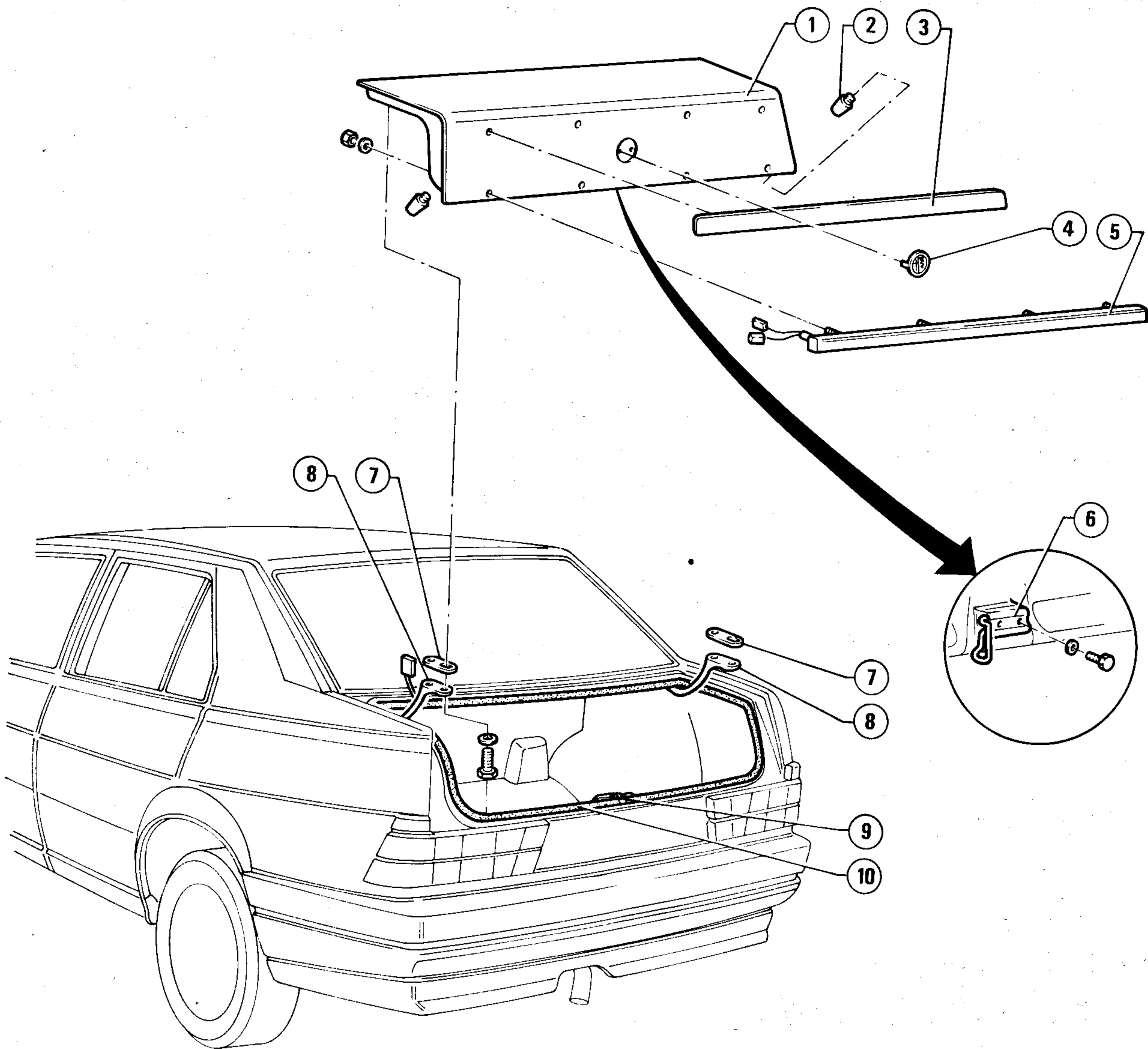
- Lubricate cable with suitable oil, letting it slide into sheath.

- Do not excessively bend the cable sheath in the engine compartment, to prevent opening stress increase.



- 1 Bonnet catch
- 2 Sheath
- 3 Bonnet opening control cable
- 4 Screw securing cable
- 5 Bonnet opening control lever

BOOT LID



- | | | | |
|---|-----------------------------|----|-------------------------|
| 1 | Boot lid | 6 | Boot lid catch |
| 2 | Boot lid adjustment stopper | 7 | Spacer |
| 3 | Molding | 8 | Hinge |
| 4 | Badge | 9 | Boot lid closing device |
| 5 | Rear refractive strip | 10 | Rubber sealing |

REMOVAL AND INSTALLATION

For removal and installation of boot lid, cover its sides with a cloth or other padding, to avoid damaging body.

1. Disconnect the licence plate lamps wiring (1), and withdraw cable (2) completely from cable protective ring (3).

WARNING:

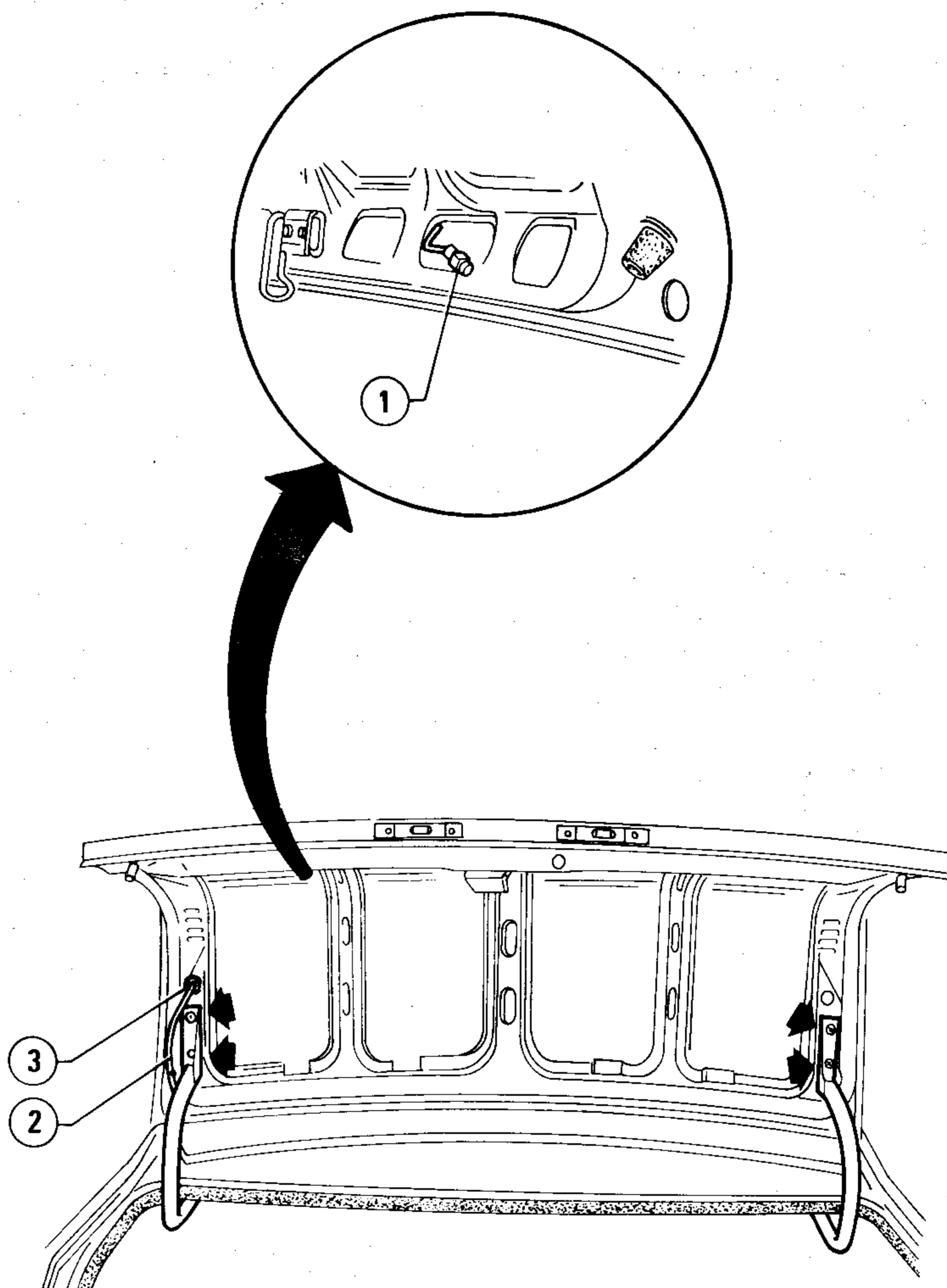
Two operators are needed to support and remove the bonnet.

2. Unscrew the four screws securing hinges to boot lid and remove this last.

3. If required, remove the rear refractive strip (refer to: Group 40 - Rear Refractive Strip).

4. If required, remove the external molding stuck to boot lid.

5. Install the boot lid on vehicle by reversing the order of removal. Check that it is correctly fitted in place; if necessary, correct the position as indicated in "Boot Lid Adjustment".

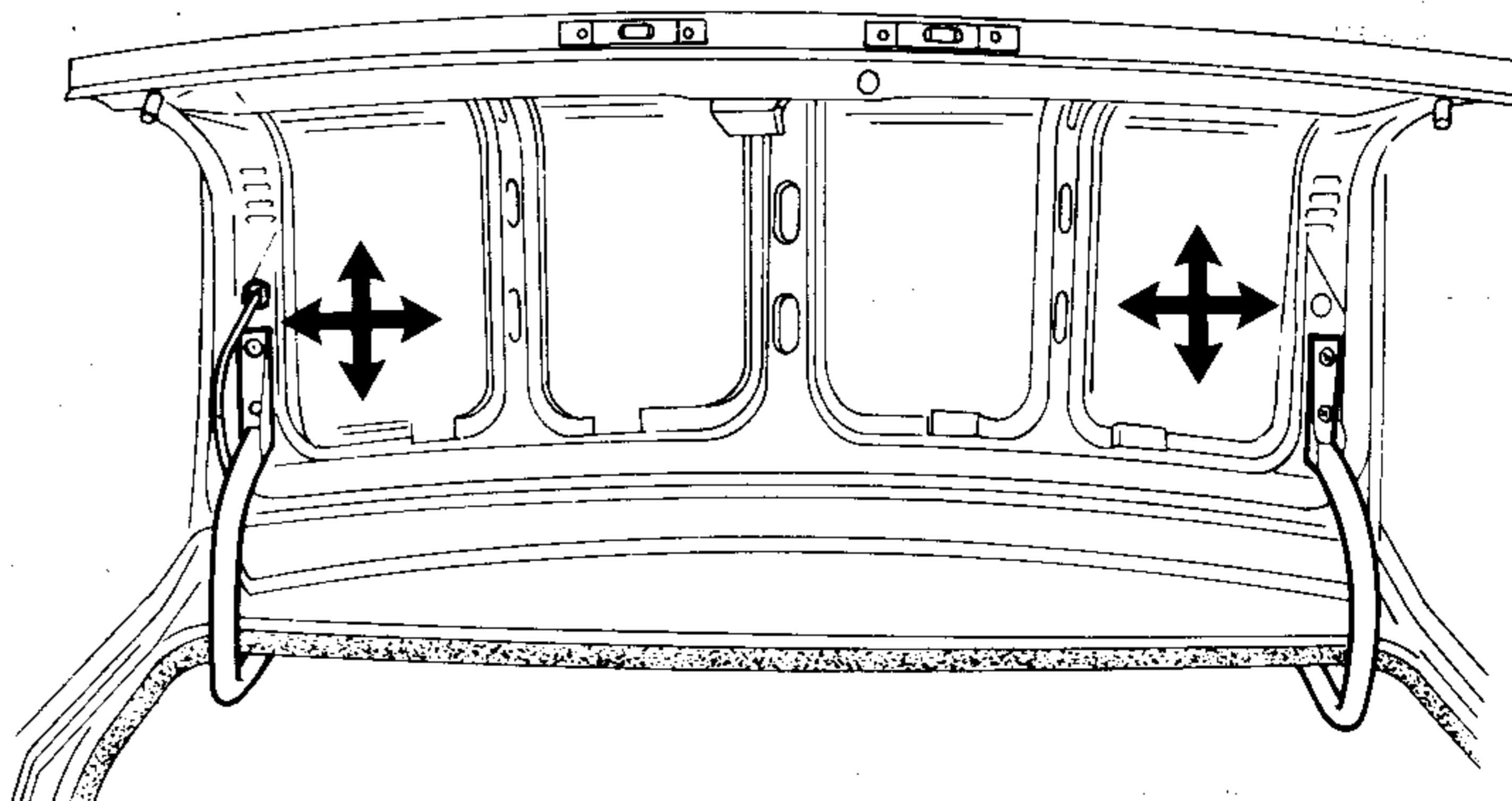


- 1 Licence plate lamps wiring
- 2 Licence plate lamps cable
- 3 Cable protective ring

BOOT LID ADJUSTMENTS

POSITION

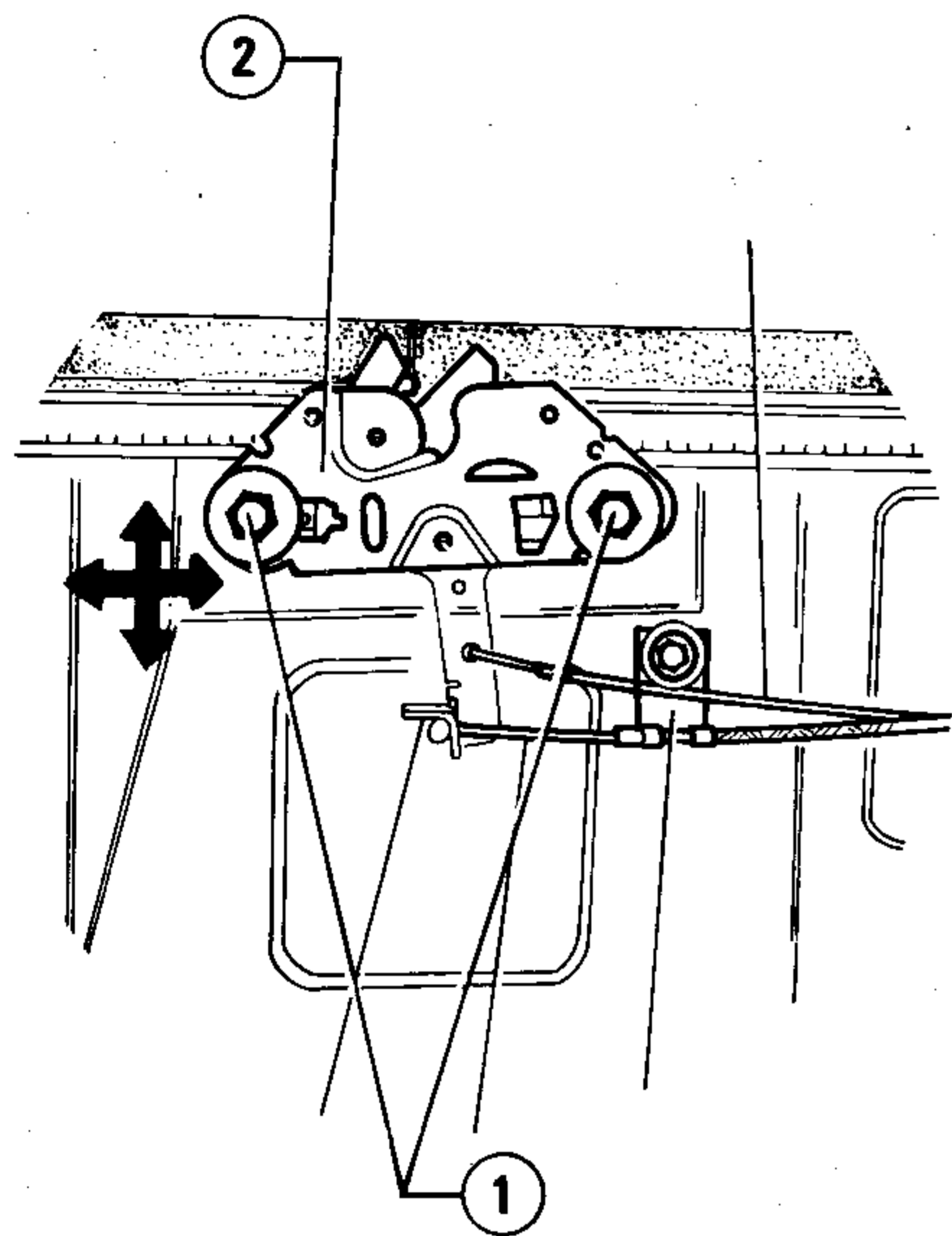
Loosen the screws securing hinges to boot lid, and move it forwards, backwards and sideways until the correct position is obtained. If necessary, place suitable spacers between hinges and boot lid.



BONNET AND BOOT LID

CLOSING

1. Check that the stopper on the boot lid is positioned at the centre of the closing device (2), by operating on the two screws (1); then secure the device.



- 1 Screws
- 2 Boot lid closing device

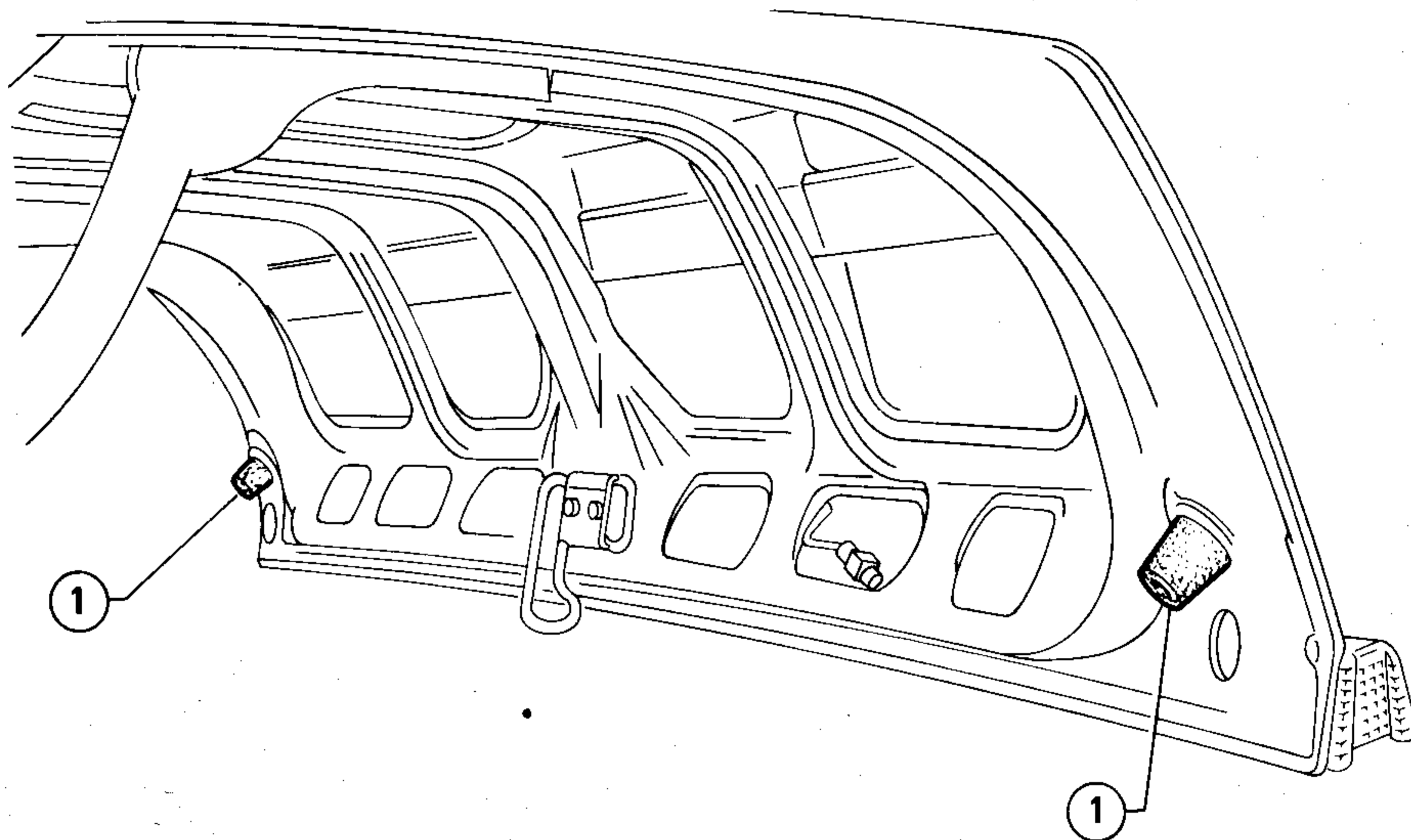
2. Check that the boot lid catch opening control is functioning correctly. If required, repeat the previous operation.

3. Lubricate the boot lid catch mechanism with suitable grease.

STOPPERS

Check that stoppers (1) located on boot lid touch the body; if this is not the case, adjust the height of stop-

pers accordingly by operating as described at the beginning of paragraph.



- 1 Boot lid adjustment stopper

REPLACEMENT OF BOOT LID OPENING CONTROL CABLE

CAUTION:

In case of breakage of the boot lid opening control cable, it is possible to open the boot lid by using emergency cable (2), located inside the passenger compartment on the left-hand side between the seat back and the rear seat.

1. Remove the back trimming plastic cover from boot lid (refer to: Group 66 - Inside Trimming).

2. Withdraw cable (4) from the eyelet of device (1) lever (5), and loosen bracket (3) screw.

3. Operating from inside the vehicle, remove both rear seat and kickplates. Withdraw both cable and sheath of boot lid opening control lever (6).

4. Insert the new cable complete with sheath, and secure it to the boot lid opening control lever.

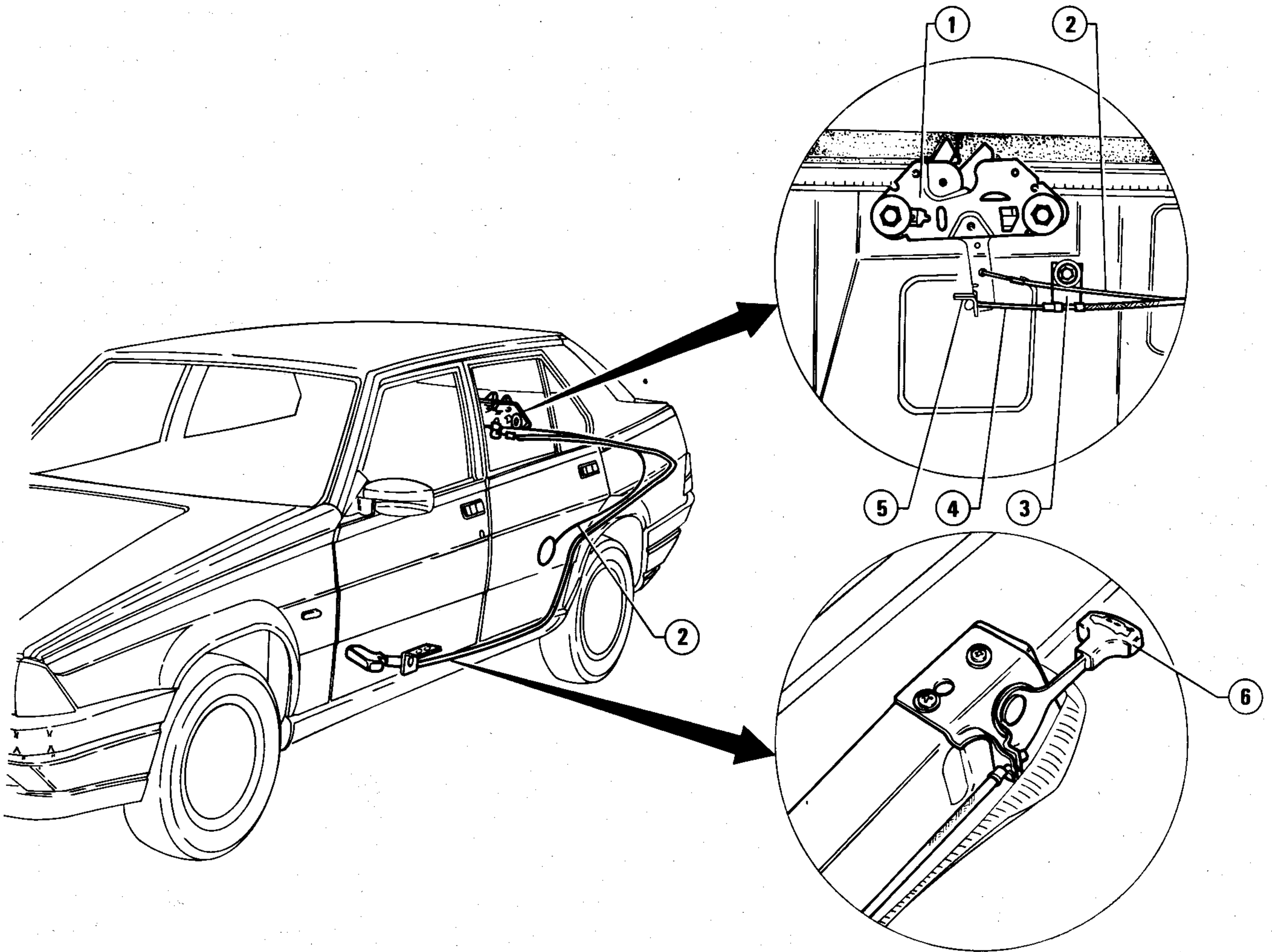
BONNET AND BOOT LID

5. Operating from the boot, insert cable ④ into the eyelet of device ① lever ⑤.
6. Check that the boot lid opening control functions correctly.

7. If necessary, adjust the cable position, by operating bracket ③.
8. Refit the kickplates, rear seat, and the back trimming plastic cover.

CAUTION:

- Lubricate the cable with suitable oil, letting it slide in the sheath.
- Do not excessively bend the cable sheath in the boot to prevent opening stress increase.



- 1 Boot lid closing device
- 2 Nylon emergency cable
- 3 Bracket securing sheath
- 4 Cable
- 5 Lever
- 6 Boot lid opening control

SERVICE DATA AND SPECIFICATIONS

TIGHTENING TORQUES

Unit: Nm (kgm; ftlb)

Item	Versions	All versions
Screws securing moveable catch support to bonnet		18 to 22 (1.8 to 2.2; 13.02 to 15.91)
Bonnet stopper fixing nut		10 to 15 (1 to 1.5; 7.23 to 10.84)